



SPIDI[®] max

· **SYSTEM OVERVIEW** ·

- VISIBLE FIXING
 - CONCEALED FIXING
 - SUSPENDED CEILING
 - PHOTOVOLTAICS
-

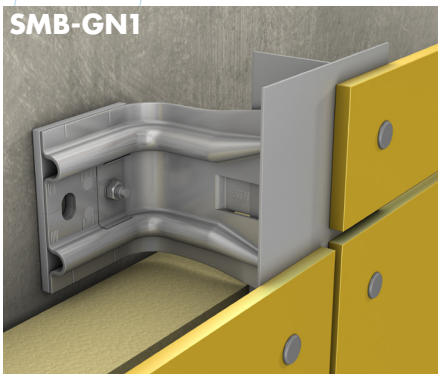
SPIDI® max

SYSTEM OVERVIEW

The patented SPIDI® wall brackets are manufactured from high-strength aluminium, stainless steel, and steel with maximum corrosion protection with wall-to-panel distances between 65 and ~900mm. They have a pre-mounted Thermostop and can be installed as either fixed or sliding points, both vertically and horizontally.

VISIBLE FIXING

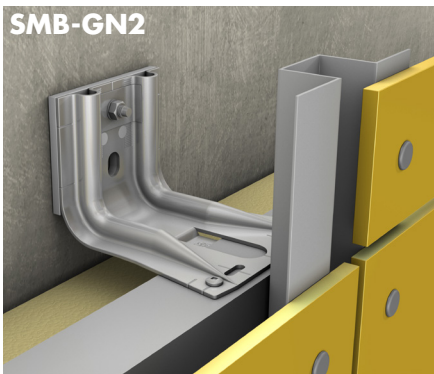
SMB-GN1



RIVETED 1-layer substructure

FACADE CLADDING: Aluminium composite panels, fibre cement, glassfibre reinforced concrete, HPL panels, aluminium & steel sheets, render carrier boards

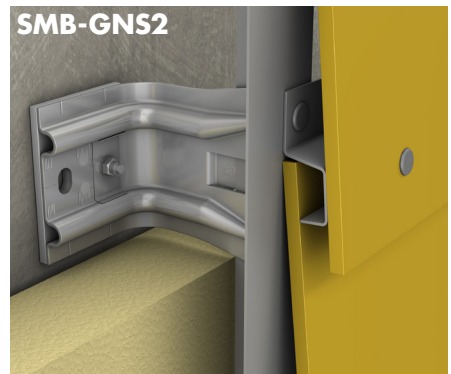
SMB-GN2



RIVETED 2-layer substructure & wind barrier membrane

FACADE CLADDING: Aluminium composite panels, fibre cement, glassfibre reinforced concrete, HPL panels, aluminium & steel sheets, render carrier boards

SMB-GNS2



RIVETED 2-layer substructure with clapboard cladding

FACADE CLADDING: Fibre cement, glassfibre reinforced concrete, HPL panels

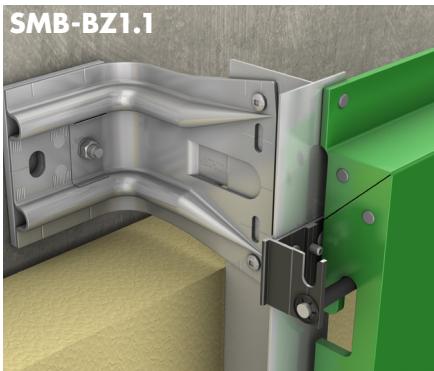
SMB-GSH1



TIMBER BATTEN 2-layer substructure

FACADE CLADDING: Fibre cement, glassfibre reinforced concrete, HPL panels, render carrier boards

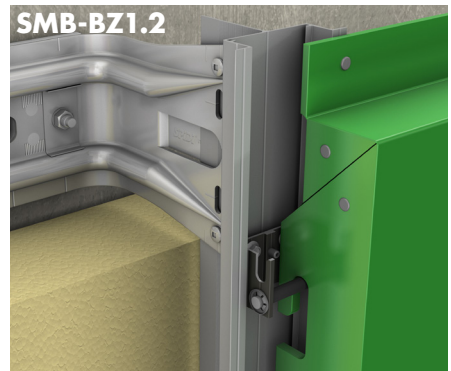
SMB-BZ1.1



BOLT HANGER 1-layer substructure T-profile

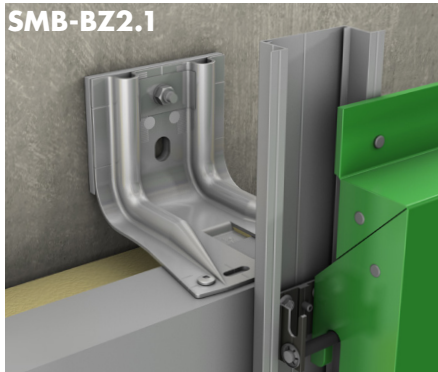
FACADE CLADDING: Aluminium composite material & aluminium & steel cassettes

SMB-BZ1.2



BOLT HANGER 1-layer substructure Y-profile

FACADE CLADDING: Aluminium composite material & aluminium & steel cassettes



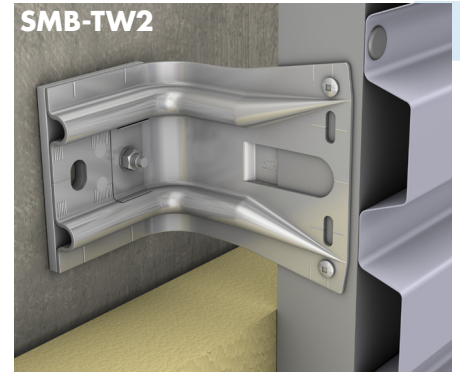
BOLT HANGER
2-layer substructure U-profile

FACADE CLADDING:
Aluminium composite material & aluminium & steel cassettes



RIVETED/SCREWED
1-layer substructure

FACADE CLADDING:
Trapezoidal aluminium & steel sheeting



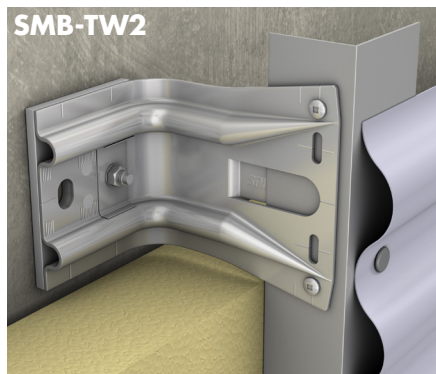
RIVETED/SCREWED
1-layer substructure

FACADE CLADDING:
Trapezoidal aluminium & steel sheeting



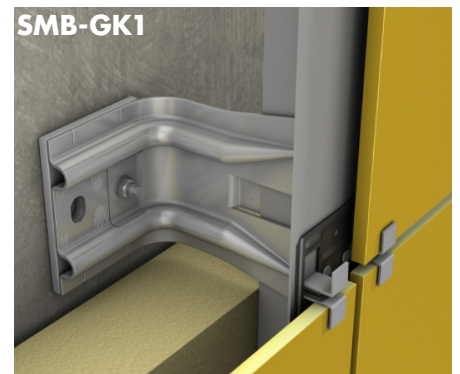
RIVETED/SCREWED
1-layer substructure

FACADE CLADDING:
Corrugated aluminium & steel sheeting



RIVETED/SCREWED
1-layer substructure

FACADE CLADDING:
Corrugated aluminium & steel sheeting



CLAMP FIXING
1-layer substructure with stainless steel clamps

FACADE CLADDING:
Stoneware, ceramics



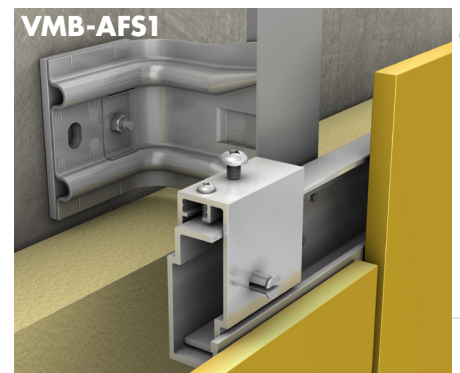
RIVETED/SCREWED
1-layer substructure

FACADE CLADDING:
Aluminium & steel siding



RIVETED/SCREWED
1-layer substructure

FACADE CLADDING:
Aluminium & steel siding

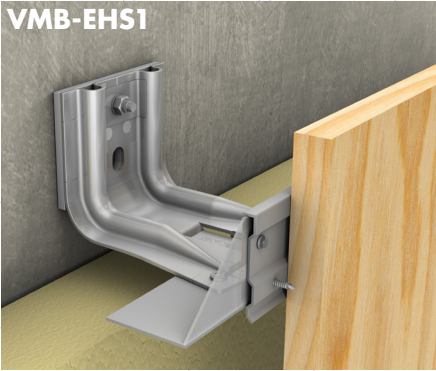


HANGER SYSTEM
2-layer substructure

FACADE CLADDING:
Fibre cement, stoneware, glassfibre reinforced concrete, HPL panels, ceramics, natural stone, coreboards, laminated glass

CONCEALED FIXING

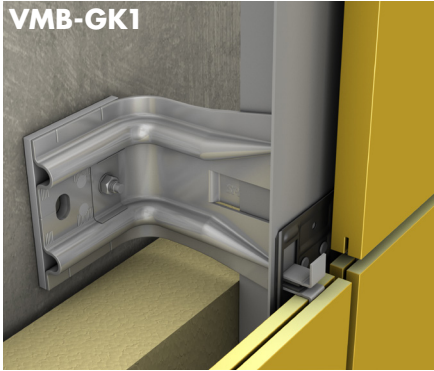
VMB-EHS1



HANGER SYSTEM 2-layer substructure

FACADE CLADDING:
Composite wood panels

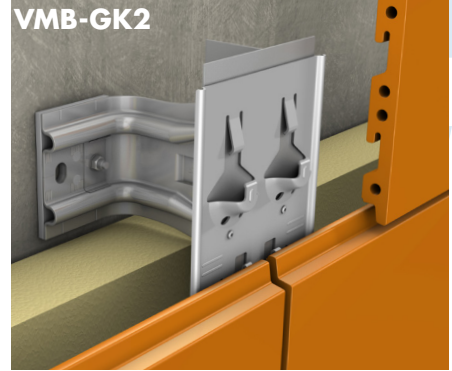
VMB-GK1



CLAMP FIXING 1-layer substructure with stainless steel clamps

FACADE CLADDING:
Stoneware, natural stone

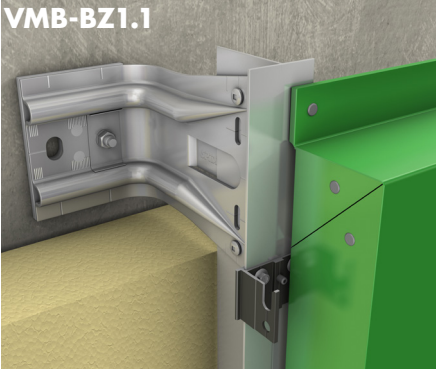
VMB-GK2



SLIP RAIL 1-layer substructure

FACADE CLADDING:
Terracotta, brick

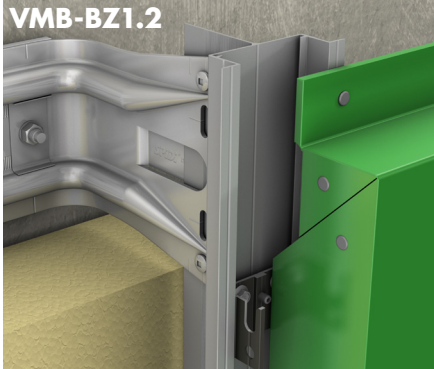
VMB-BZ1.1



BOLT HANGER 1-layer substructure T-profile

FACADE CLADDING:
Aluminium composite material & aluminium & steel cassettes

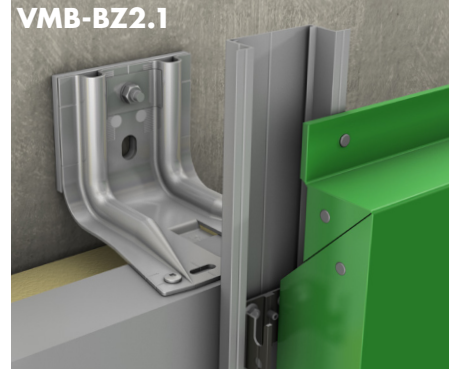
VMB-BZ1.2



BOLT HANGER 1-layer substructure Y-profile

FACADE CLADDING:
Aluminium composite material & aluminium & steel cassettes

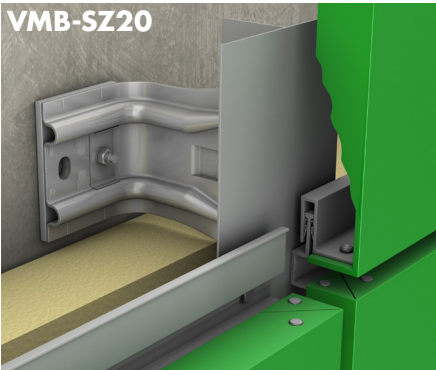
VMB-BZ2.1



BOLT HANGER 2-layer substructure U-profile

FACADE CLADDING:
Aluminium composite material & aluminium & steel cassettes

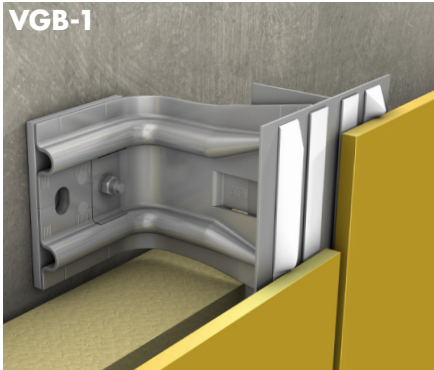
VMB-SZ20



SZ20 SYSTEM 1-layer substructure

FACADE CLADDING:
Aluminium composite material

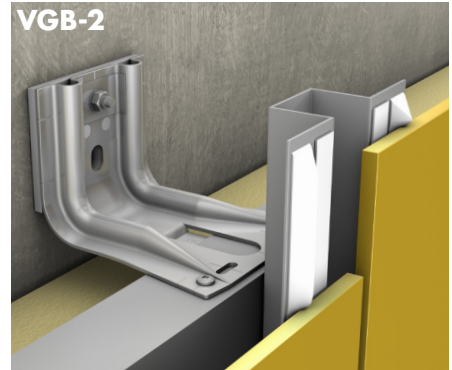
VGB-1



ADHESIVE FIXING 1-layer substructure

FACADE CLADDING: Aluminium composite panels, fibre cement, glassfibre reinforced concrete, HPL panels, ceramics, natural stone

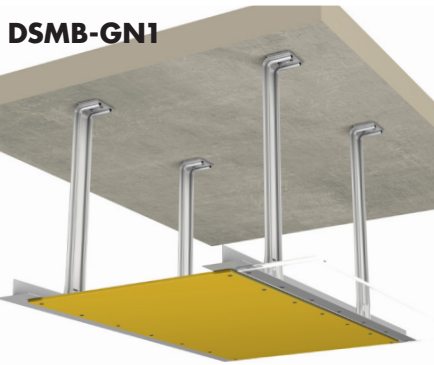
VGB-2



ADHESIVE FIXING 2-layer substructure

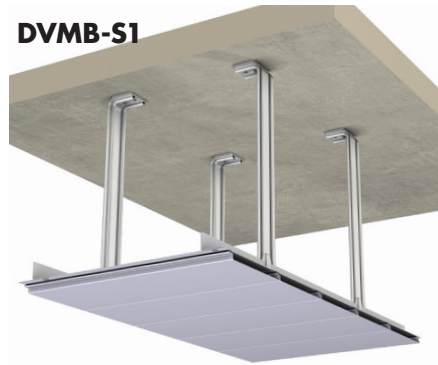
FACADE CLADDING: Aluminium composite panels, fibre cement, glassfibre reinforced concrete, HPL panels, ceramics, natural stone

SUSPENDED CEILING



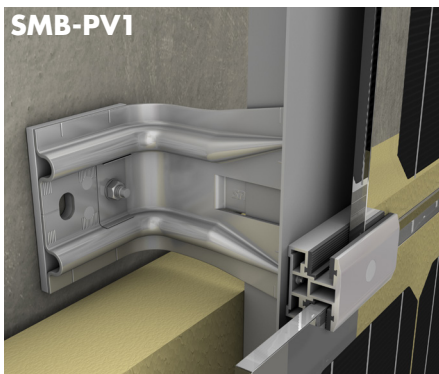
RIVETED 1-layer substructure

FACADE CLADDING: Aluminium composite panels, fibre cement, glassfibre reinforced concrete, HPL panels, aluminium & steel sheets, render carrier boards



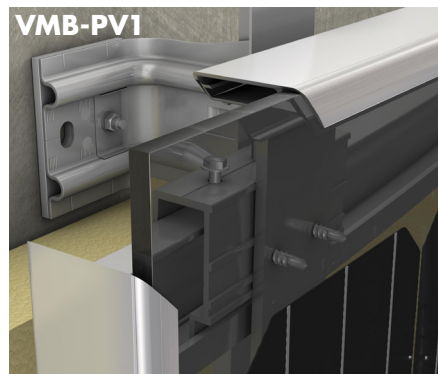
RIVETED/SCREWED 1-layer substructure

FACADE CLADDING: Aluminium & steel siding



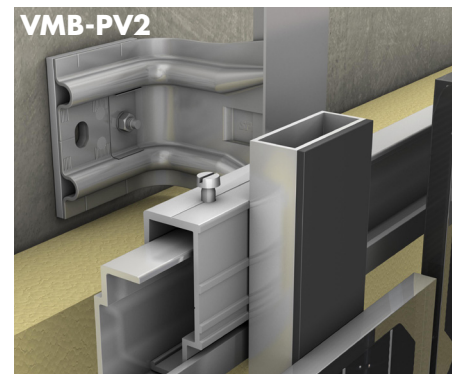
CLAMP FIXING 1-layer substructure

FACADE CLADDING: Photovoltaic modules



HANGER SYSTEM 2-layer substructure

FACADE CLADDING: Photovoltaic modules with frame



HANGER SYSTEM 2-layer substructure

FACADE CLADDING: Photovoltaic modules glass-glass



Your **SPIDI®** consultant and sales partner

SPIDI® is a registered trademark of Slavonia Baubedarf GmbH, Vienna, Austria.
This document does NOT constitute an instruction manual for assembly or installation, but is designed solely for product presentation. This applies in particular to all images and schematic diagrams. They serve exclusively as illustrations and provide no basis for liability, warranty or any other claims. Prior to any installation, our technical staff must be consulted without exception, to ensure that the installation is carried out correctly and professionally. Products are subject to change to adapt to evolving technology. Misprints, errors and omissions excepted. Our Terms and Conditions (available at www.slavonia.com) apply. © Slavonia Baubedarf GmbH