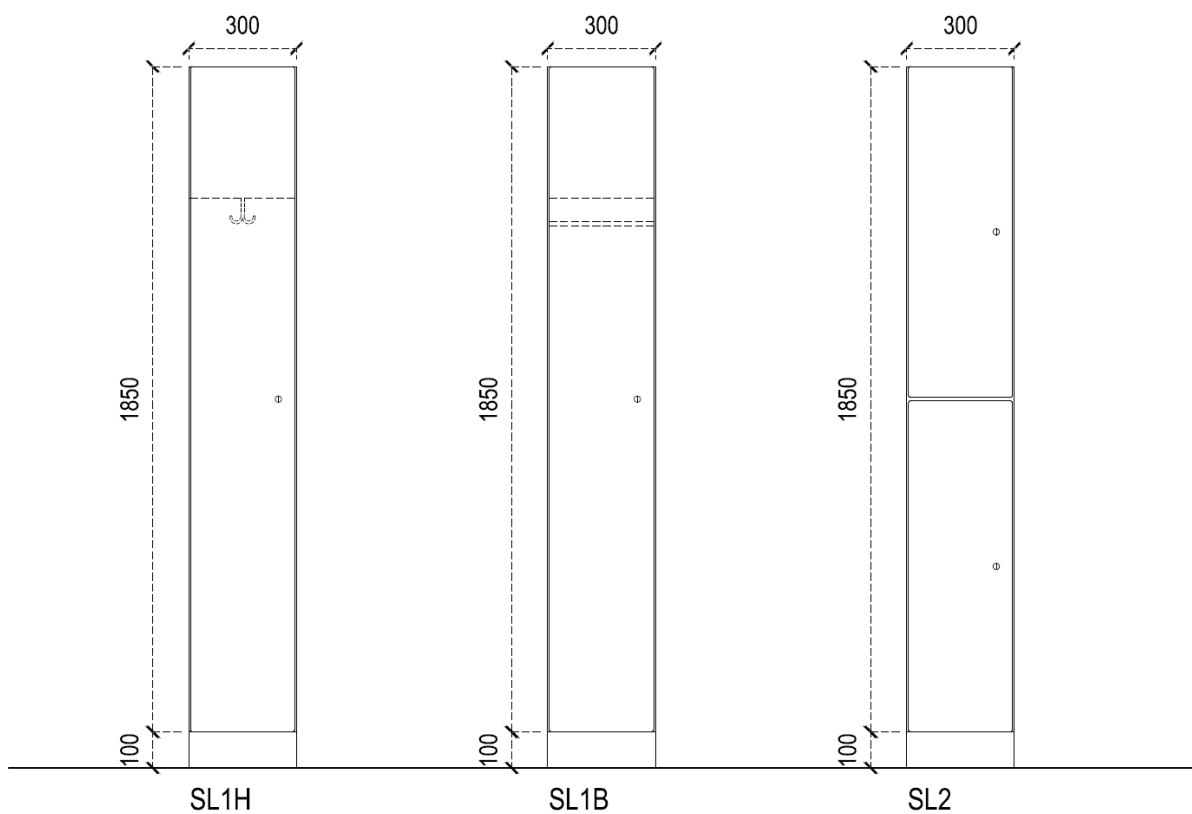




INTER-SYSTEMS

Installation instructions

SYSTEM-LOCK®

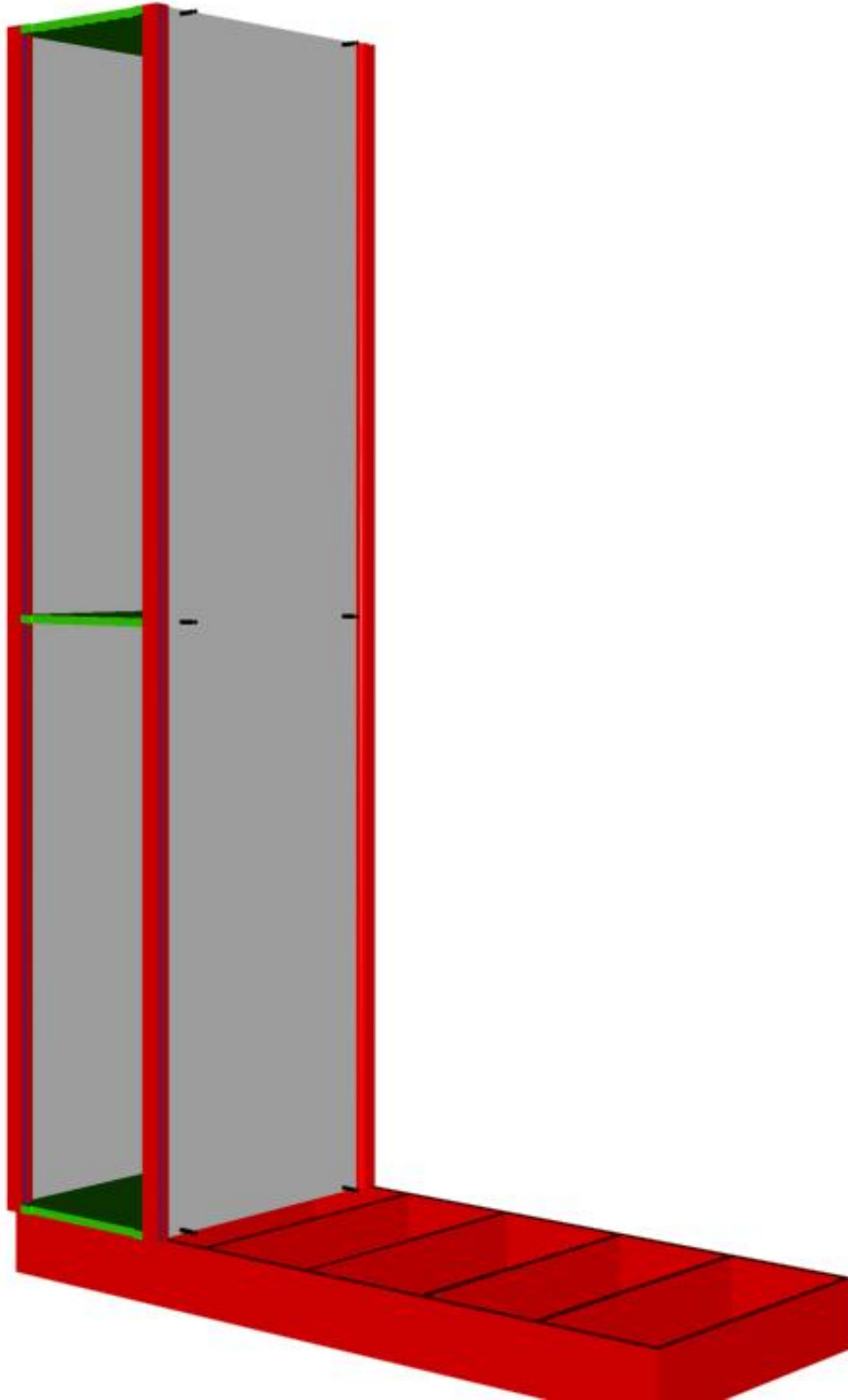


Woudstraat 3, Poort 215
B-3600 Genk
tel. (+32) 89 38 09 08
fax. (+32) 89 38 27 46
intersystems@skynet.be
www.inter-systems.be

STEP 1 :

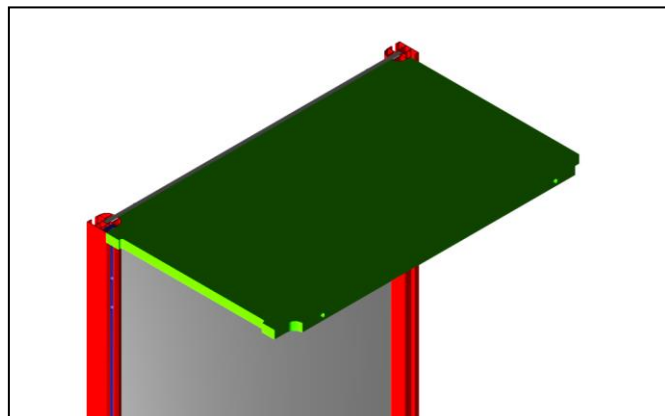
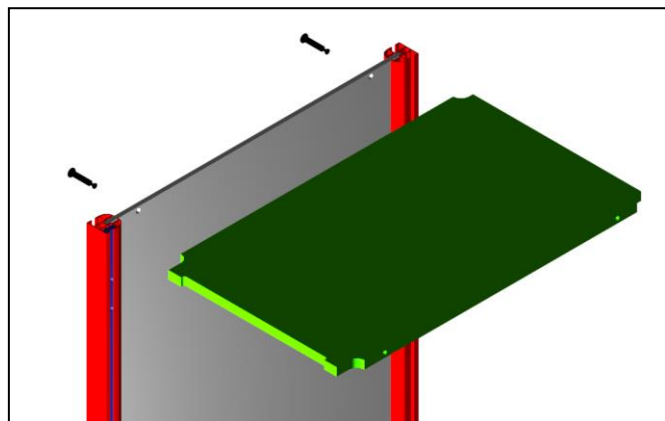
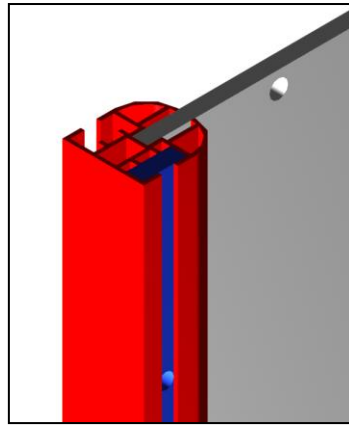
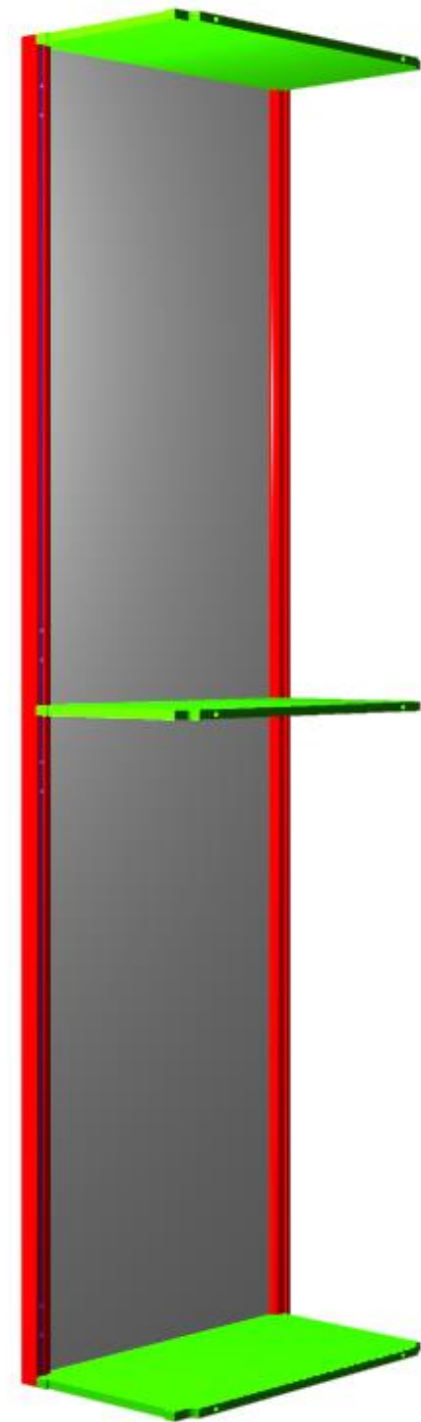
Place the supplied pedestal on the right spot and make sure that it can no longer be moved and is fully levelled.

The lockers can be installed on top as described in the following steps.



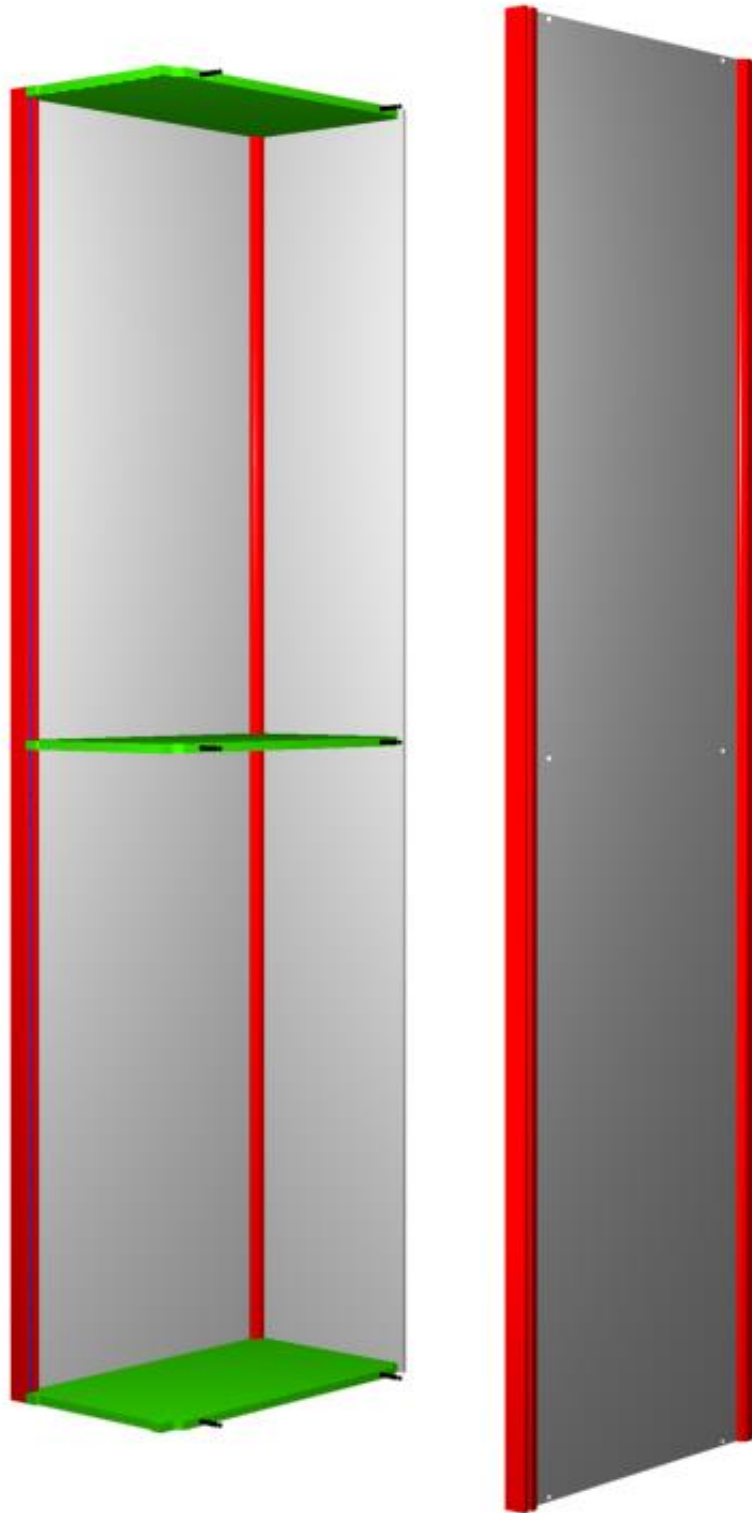
STEP 2 :

Slide the massive HPL-slat into the aluminium profile of the pre-assembled intermediate panel (only at the hinge side). This slat has fixation holes for the hinges.
Mount the horizontal shelves to the first intermediate panel with one-sided bolts.



STEP 3 :

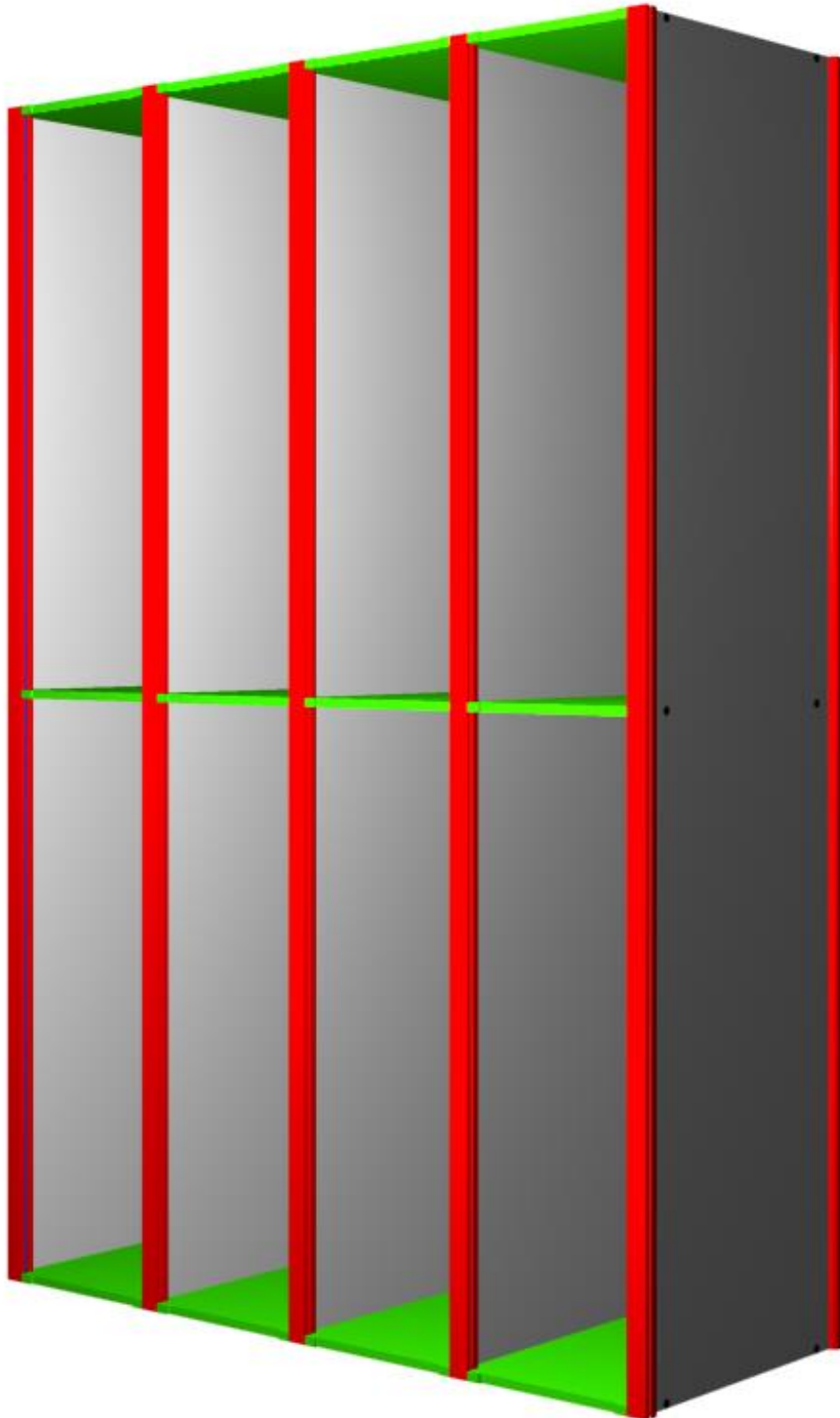
Mount the rear panel. Put the double-sided bolts into the already installed horizontal shelves and tighten them. Mount the next (pre-assembled) panel.



STEP 4 :

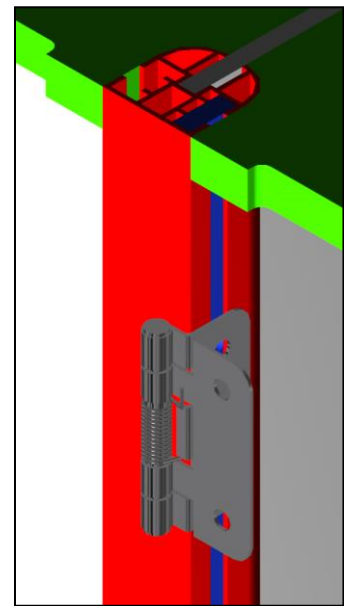
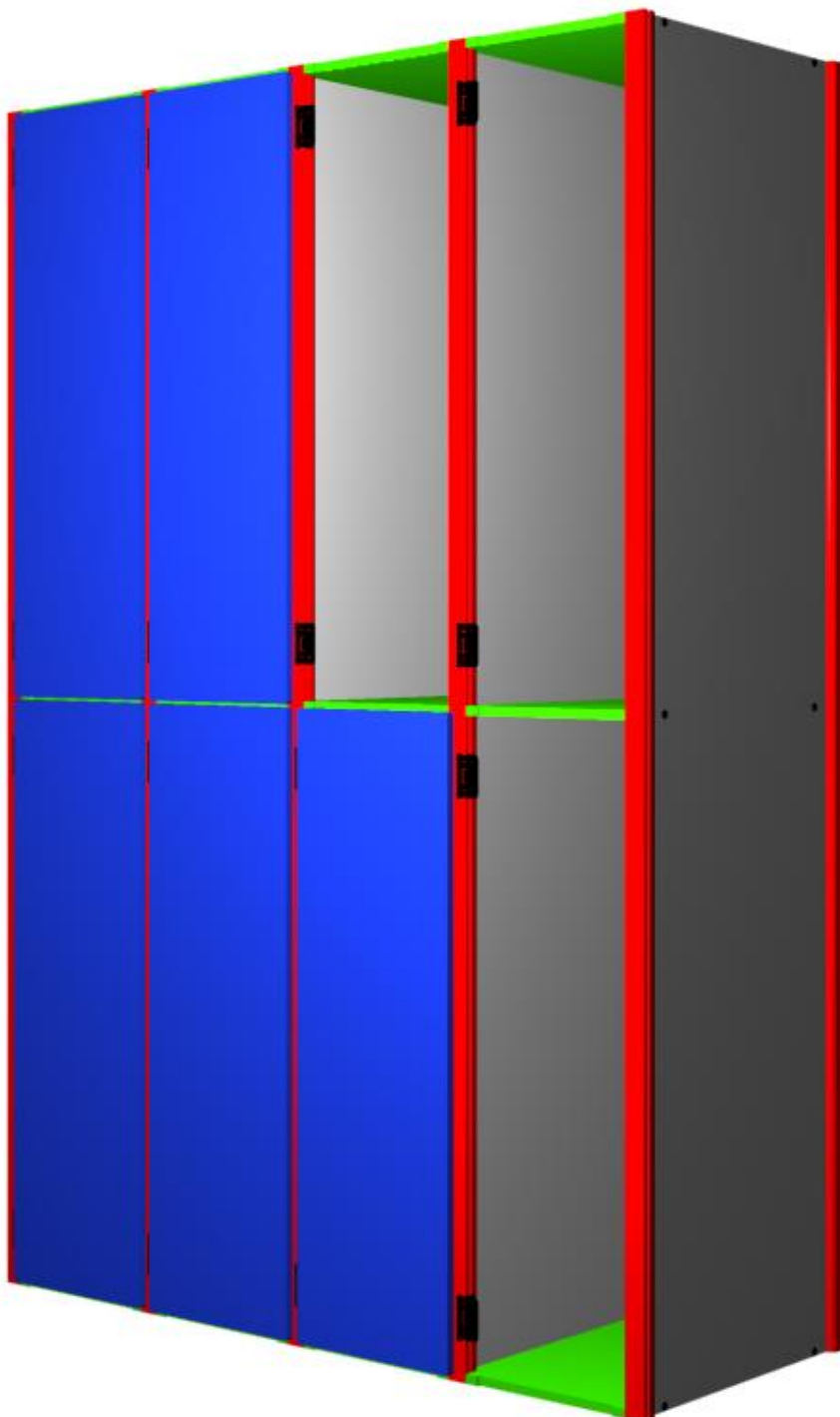
Mount the horizontal shelves of the next column by means of double-sided bolts as described in step 2 & 3.

Repeat as long as required. Mount the last side panel by means of one-sided bolts.



STEP 5 :

Now that a complete row of lockers has been mounted, the hinges can be fixed. Pay attention: do not screw them completely tight to allow adjustments while fixing the doors. Then mount the doors. Finally locks can still be fixed where needed.



STEP 6 :

At the free ends you can now fix the 13 mm Trespa covering panels (in the same colour as the doors). This will be an invisible fixation against the vertical profiles by means of double-sided foam tape and screws fixed from the inside of the locker into the covering panel. Then glue the plinth onto the pedestal.

