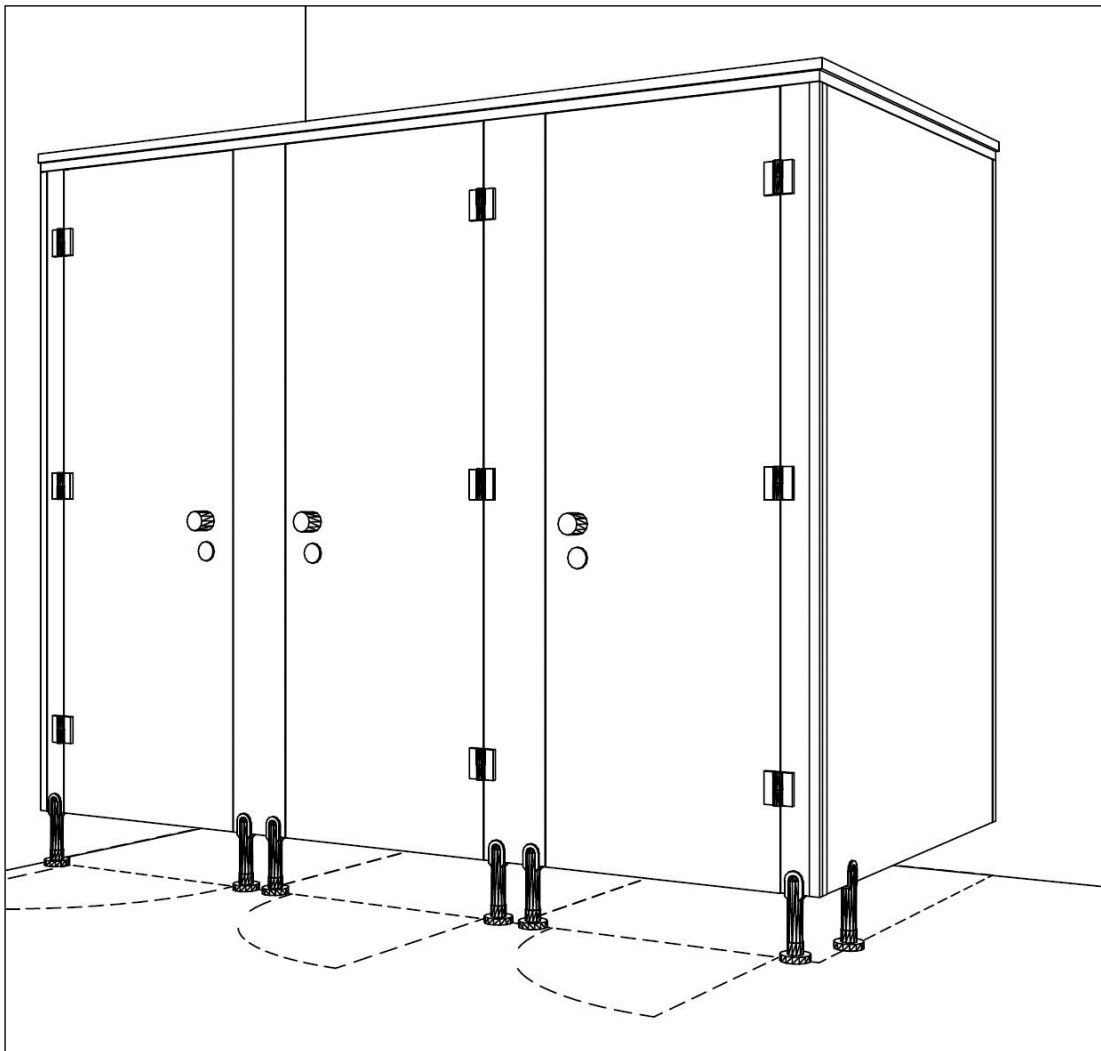




INTER-SYSTEMS

Installation instructions

SANI-CAB® ALFA / OMEGA



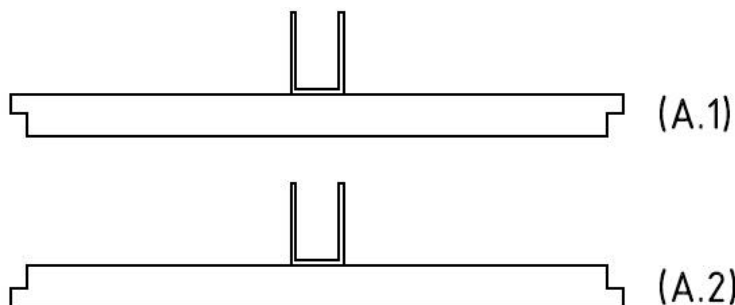
Woudstraat 3, Poort 215
B-3600 Genk
tel. (+32) 89 38 09 08
fax. (+32) 89 38 27 46
intersystems@skynet.be
www.inter-systems.be

(A) Before starting your installation...

(* Fix all doorknobs, vacant/occupied locks, hinges, supports,... at the appropriate spots on the front, side, adjustment and door panels. The holes are already predrilled.

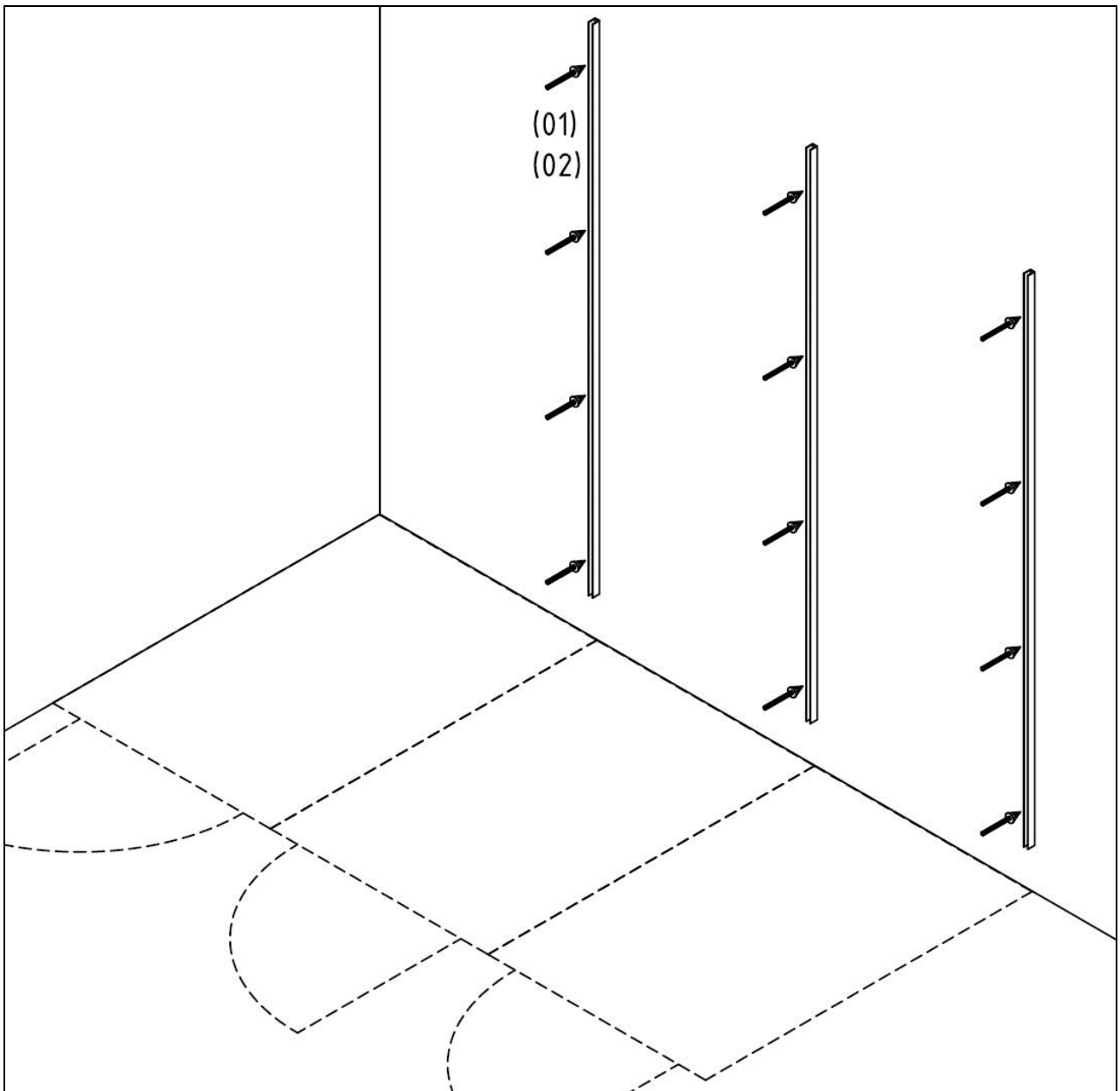
(* Also mount a U-profile at the right spot of each front panel (depending on the position: not necessary in the middle). Make sure not to drill deeper than +/- 1 cm into the panel in order to avoid damaging the front side of the panel.

The front panel and U-profile should be at the same level at the bottom, in other words the U-profile should be at the same height with the bottom of the front panel.



(* Please note that for an outwards turning door, the rebate of the front panels will point to the outside (A.1), and for an inwards turning door, vice versa (A.2). Mount the U-profile at the right side. The turn direction also determines the position of the vacant/occupied lock: on the door (A.1) on the adjustment/front panel(A.2).

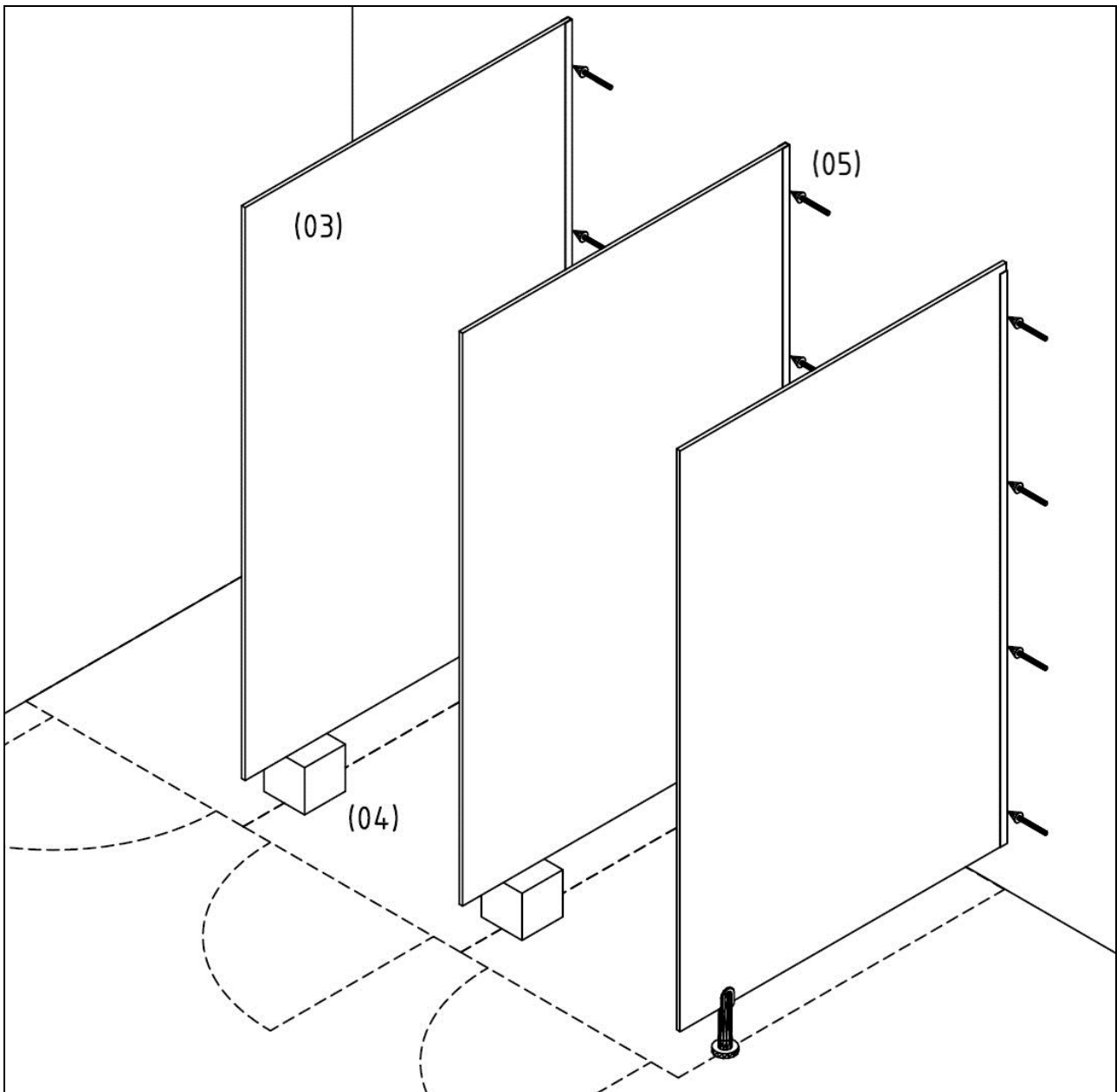
(* Always use the right type of screws, please see the list per unit on the packing.



(B) MOUNTING THE U-PROFILES

(01) Measure the position where the U-profiles of the intermediate walls and side wall should be fixed to the back wall.

(02) Mount the U-profiles against the back wall. Make sure these are perfectly leveled and at exactly 15 cm from the floor. Please use a level and the supplied screws.

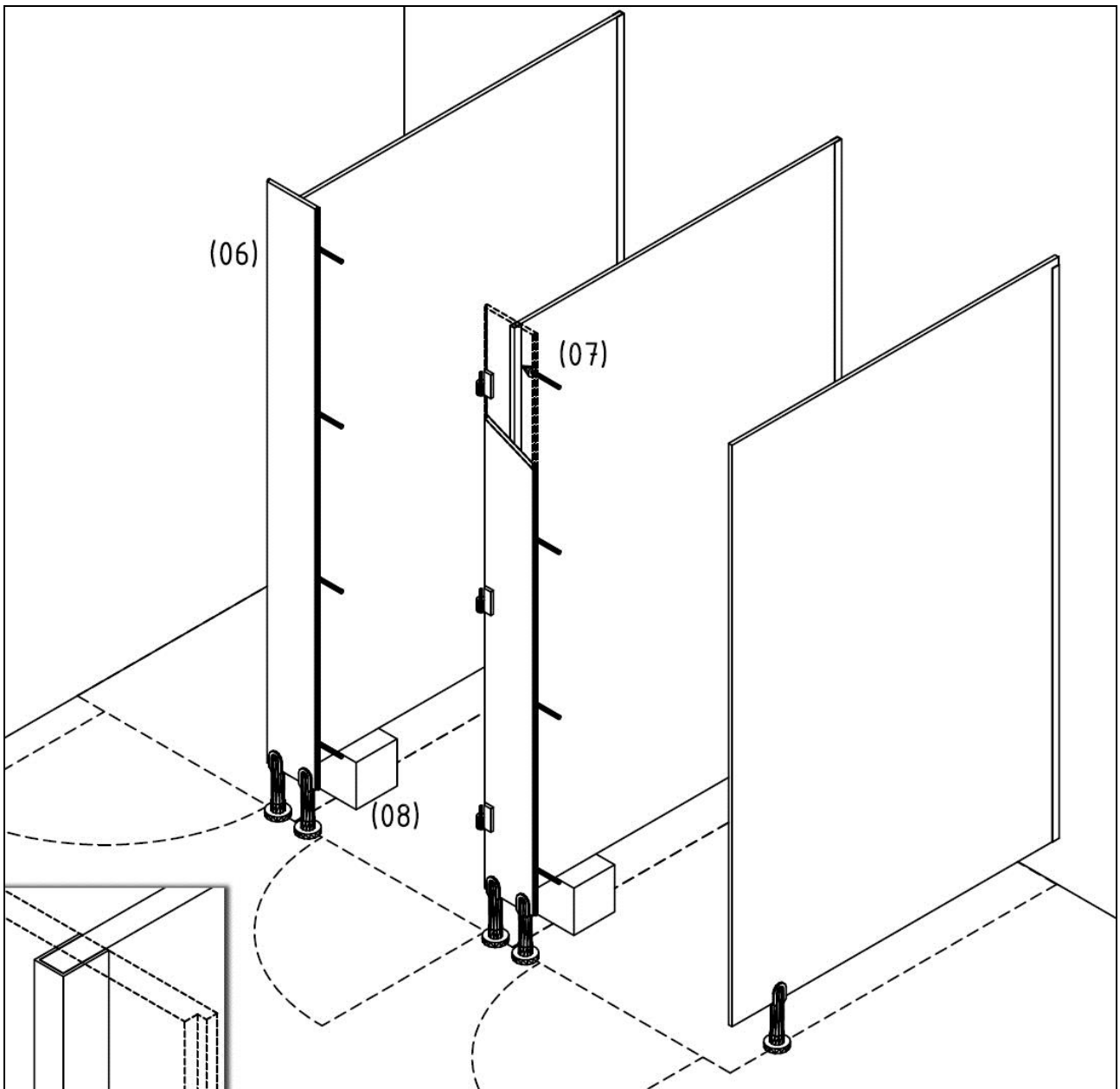


(C) MOUNTING INTERMEDIATE WALLS & SIDE WALL

(03) Slide the intermediate walls into the recently mounted U-profiles. Please note that the intermediate walls are 25 mm lower than the side wall.

(04) Put a bloc of exactly 15 cm height under the front of the intermediate wall as support. This is not necessary with the front wall because this one already has a support. Perfectly level the walls and adjust the support of the side wall at exactly 15 cm.

(05) Drill +/- 4 holes along 1 side into the U-profile, max. +/- 1 cm deep. Mount the walls into the U-profile with the supplied pop rivets.

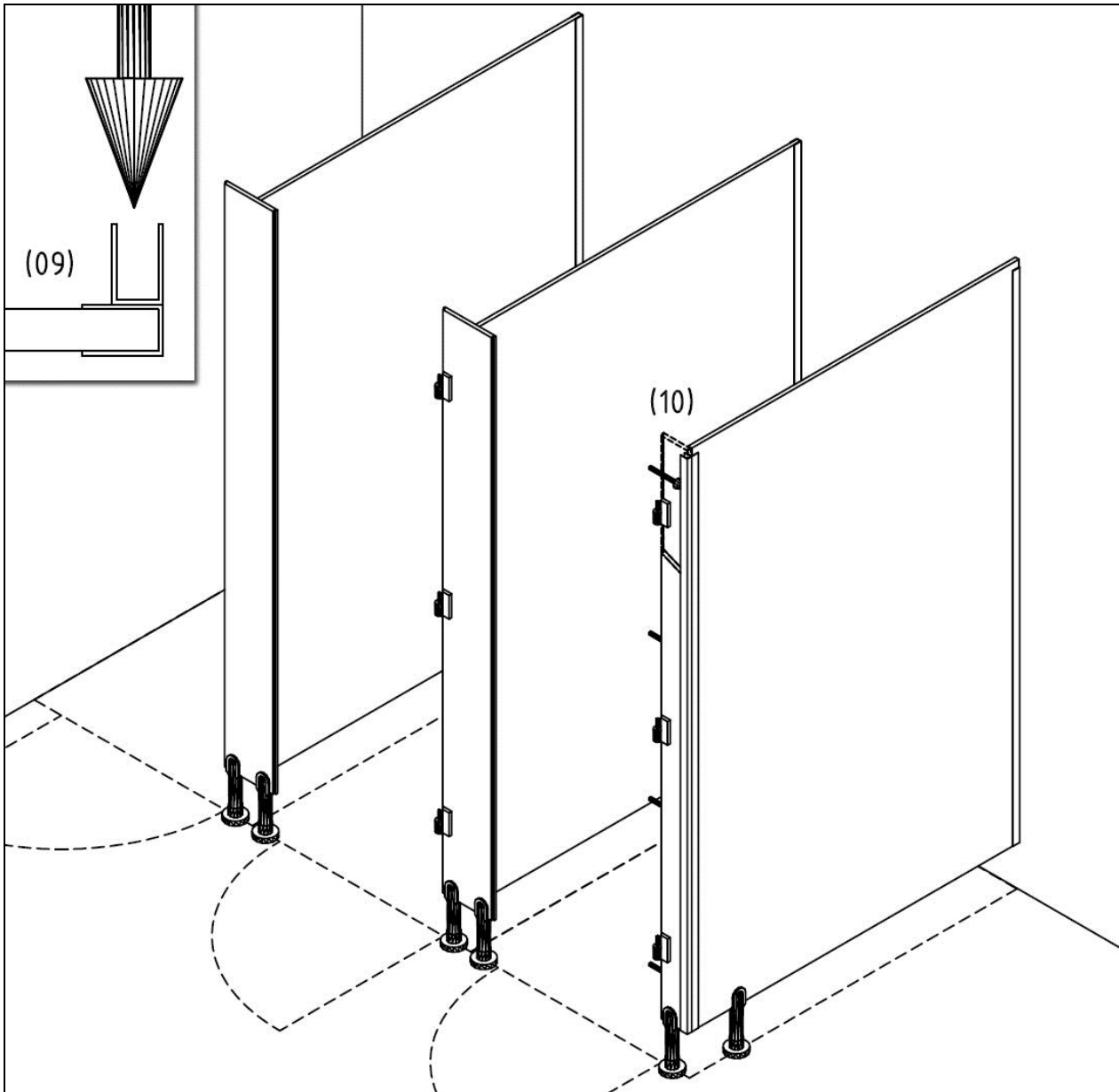


(D) MOUNTING THE FRONT PANELS

(06) Mount the front panel (with the previously fixed U-profile) against the intermediate wall. Verify whether the bottom of both the front and intermediate panel are at the same height. The front panel will be 25 mm higher than the intermediate panel on top.

(07) Mount the intermediate panel to the front panel using pop rivets, see (05).

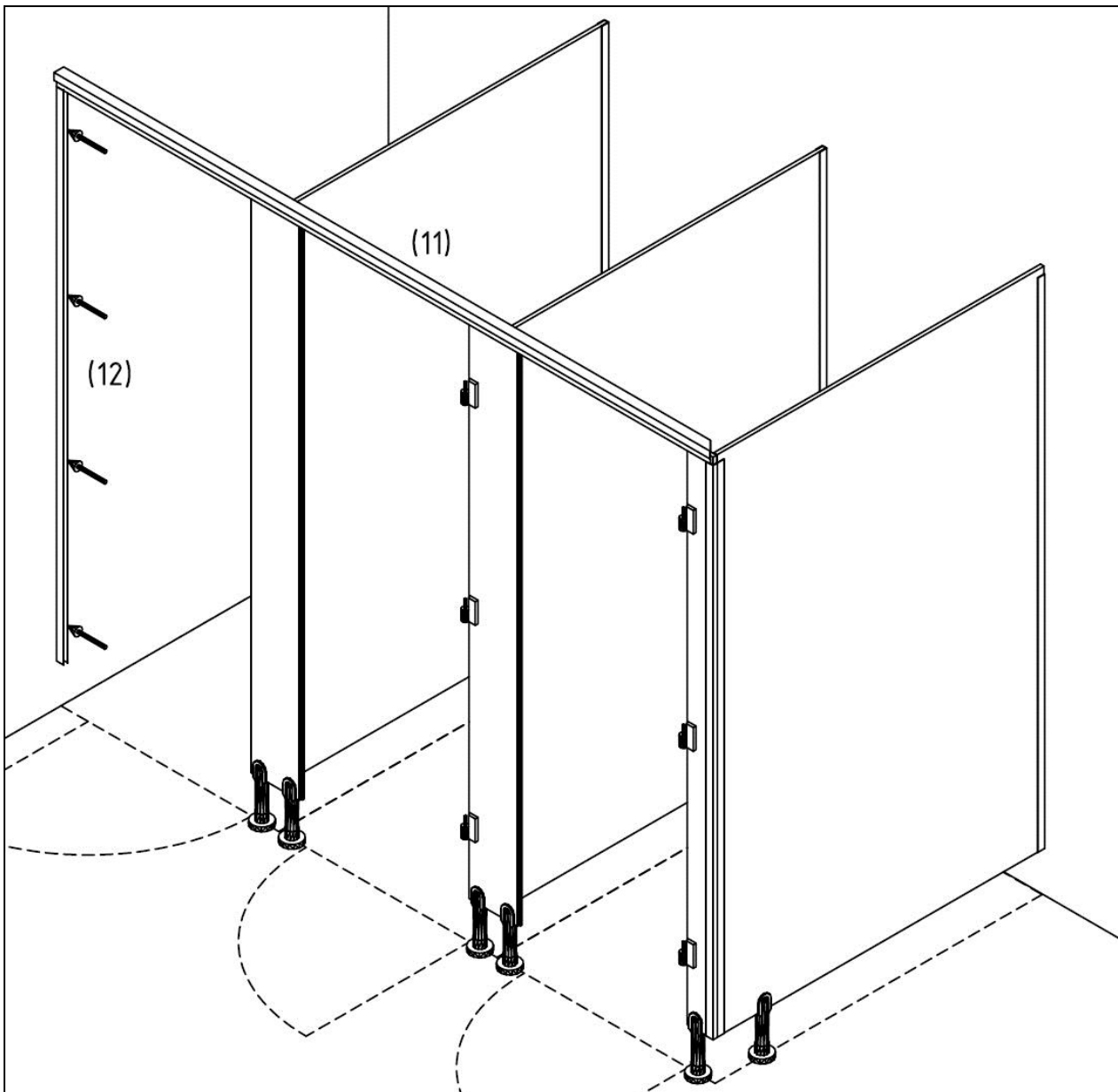
(08) After the intermediate and front panels have been connected to each other, the temporary supports may be removed.



(E) MOUNTING THE ADJUSTMENT PANEL TO SIDE WALL

(09) Fix 2 U-profiles to the adjustment panel as shown on the picture above . The adjustment panel is 25 mm higher at the top than the U-profiles. Fix by means of pop rivets.

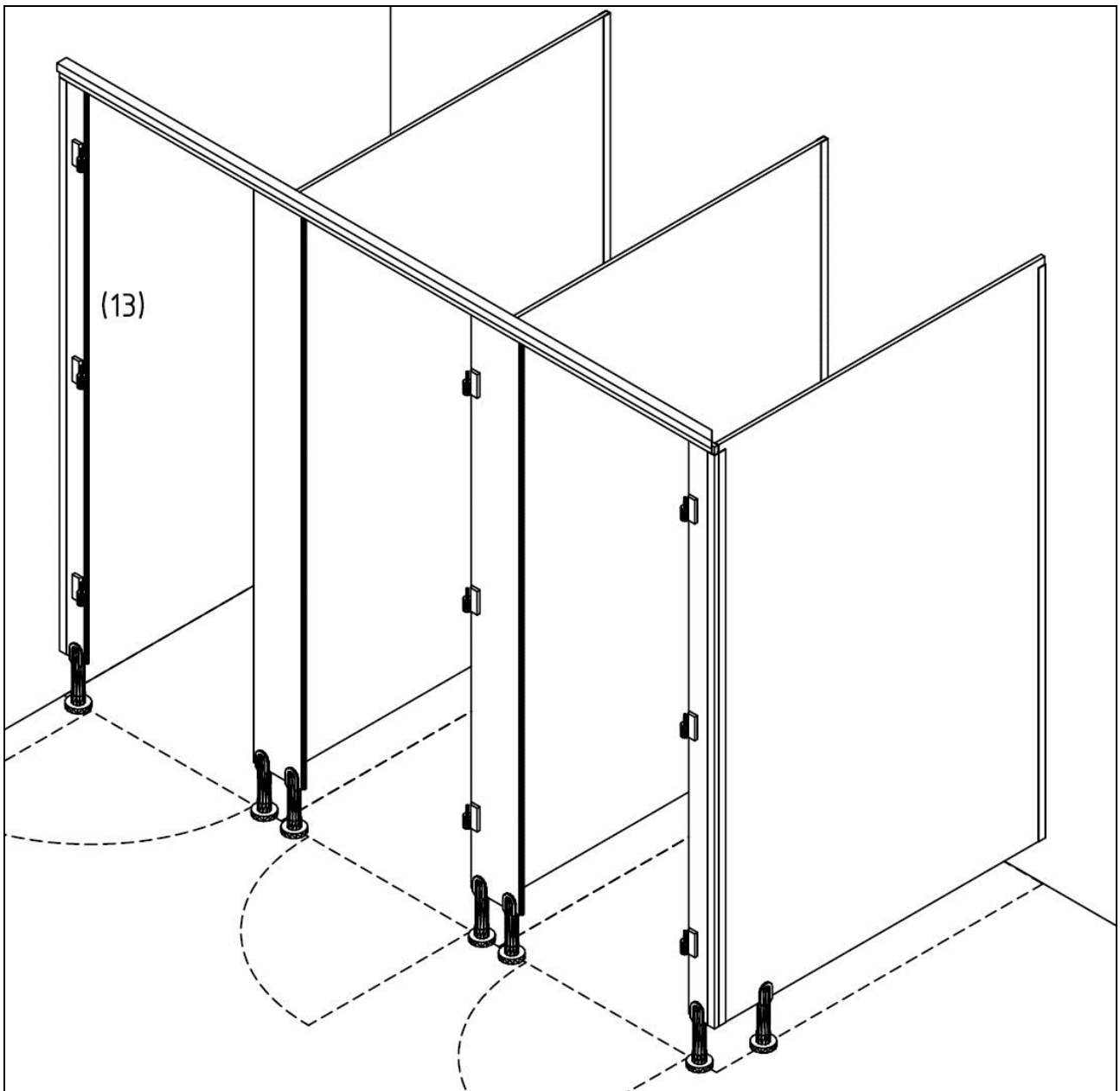
(10) Mount the panel to the side wall with pop rivets, the same way as the front panels are mounted to the intermediate walls.



(F) MOUNTING THE U-PROFILE TO THE ADJUSTMENT PANEL AT WALL'S HEIGHT

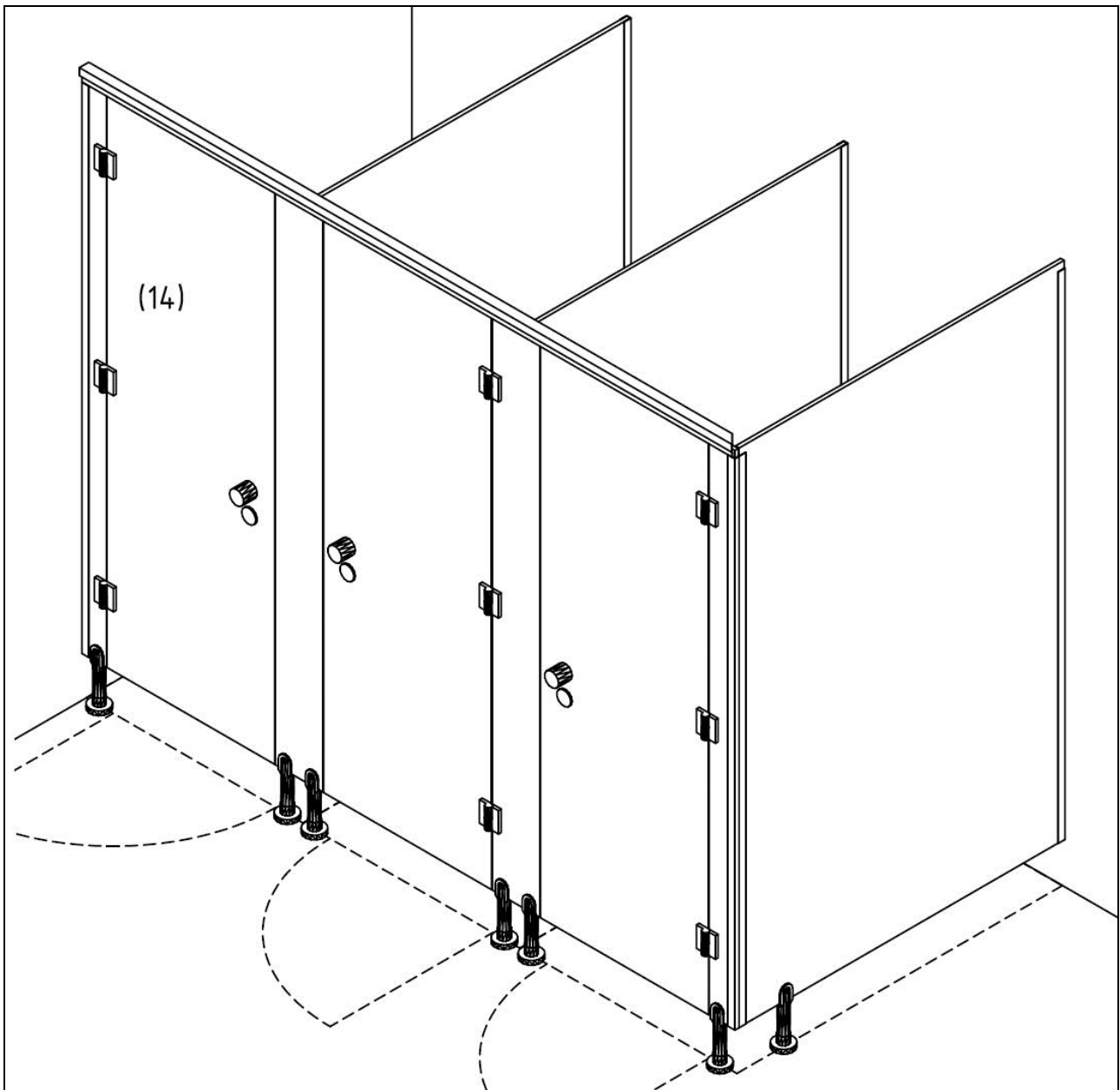
(11) Level the stabilization profile across the front panels and the side panel without fixing it. This one has already been mitered. If necessary, saw to size at the side of the existing wall. Tighten or loosen the supports to level the stabilization profile.

(12) The spot where the stabilization profile touches the wall determines the position of the U-profile to the side wall. Also fix this U-profile straight to the wall by using a level.



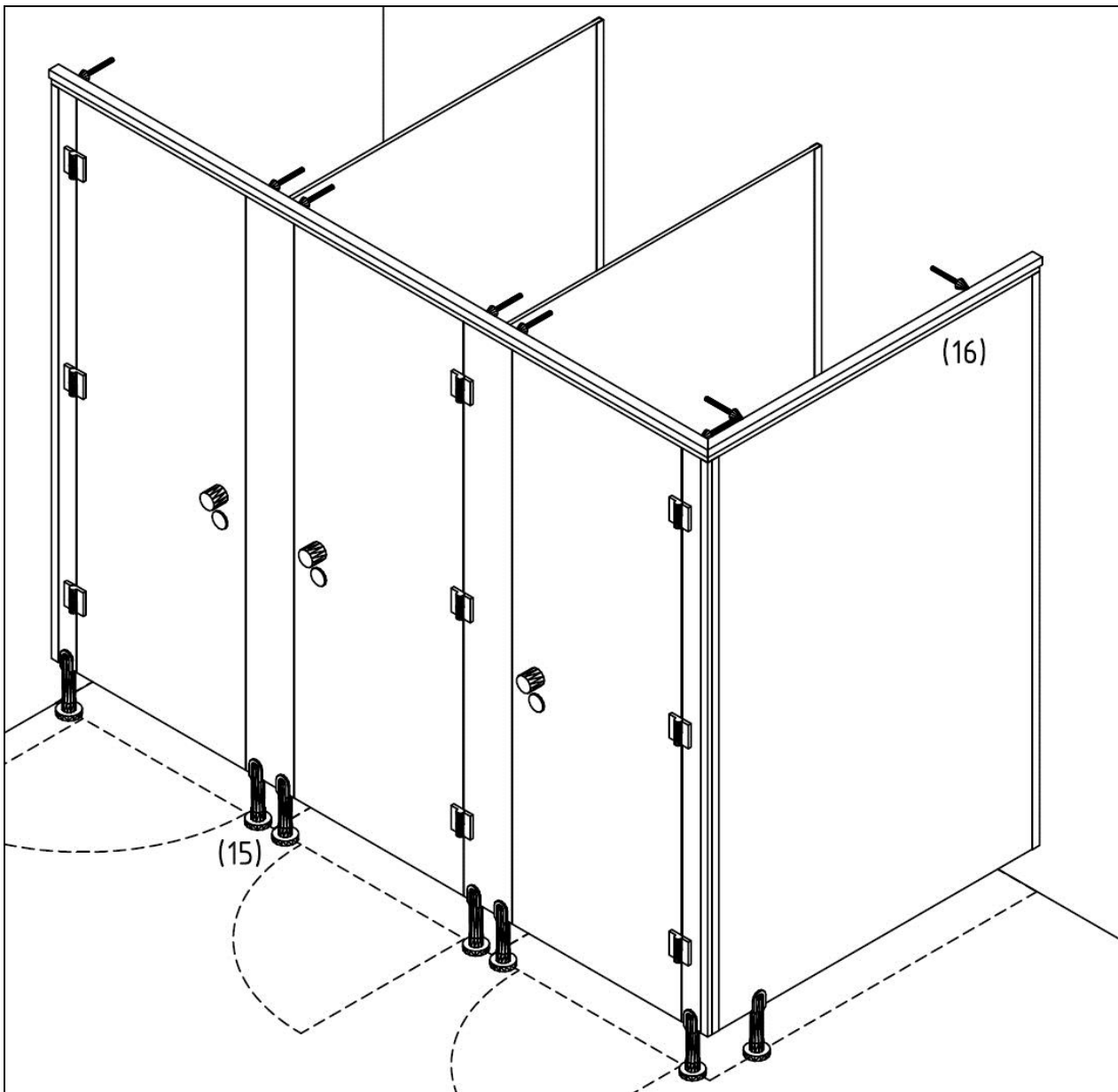
(G) MOUNTING THE ADJUSTMENT PANEL AT WALL'S HEIGHT

(13) Slide the adjustment panel with the already fixed support into the U-profile. Please verify whether the panel is leveled and fix the adjustment panel by means of pop rivets, see (05).



(H) MOUNTING THE DOORS

(14) Hang the doors equipped with hinges, doorknobs and vacant/occupied locks to the adjustment/front panels. The doors are self-closing by means of spring hinges. Adjust the hinges so that the doors fall straight into the rebate.



(I) ADJUSTING & SECURING

(15) After everything has been adjusted, the supports may be tightened to the floor. If necessary, the supports can first be adjusted.

(16) Finally mount a second stabilization profile to the side wall and fix both profiles with pop rivets, see (05). This is done along the side, 2 fixations per front panel and 1 fixation per adjustment panel will do.